

TMM4 PLUS

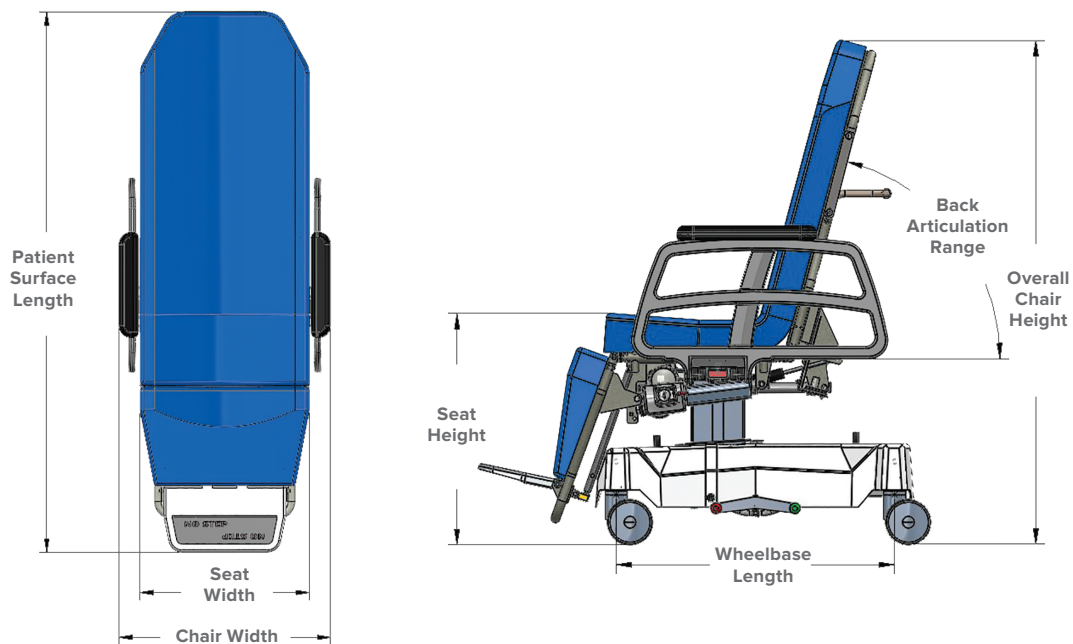
SPECIFICATIONS

MULTI-PURPOSE STRETCHER-CHAIR

SPECIFICATION DESCRIPTION	MODELS*					
	TMM4 PLUS-B	TMM4 PLUS-LB	TMM4 PLUS-TB	TMM4 PLUS-WB	TMM4 PLUS-TLB	TMM4 PLUS-WTB
Maximum Patient Weight	500 lb (227 kg)	500 lb (227 kg)	500 lb (227 kg)	500 lb (227 kg)	500 lb (227 kg)	500 lb (227 kg)
Seat Height, Low	24.3" (61.7 cm)	22.8" (57.9 cm)	24.4" (62 cm)	24.3" (61.7 cm)	22.9" (58.2 cm)	24.4" (62 cm)
Seat Height, High	32.1" (81.5 cm)	30.6" (77.7 cm)	40.1" (101.9 cm)	32.1" (81.5 cm)	38.6" (98 cm)	40.1" (101.9 cm)
Back Height	33.75" (85.73 cm)	33.75" (85.73 cm)	33.75" (85.73 cm)	33.75" (85.73 cm)	33.75" (85.73 cm)	33.75" (85.73 cm)
Side Rail Height, Up (seat pan to rail top)	13.5" (34.3 cm)	13.5" (34.3 cm)	13.5" (34.3 cm)	13.5" (34.3 cm)	13.5" (34.3 cm)	13.5" (34.3 cm)
Overall Chair Height, Low	54" (137 cm)	52" (133 cm)	53" (135 cm)	54" (137 cm)	52" (133 cm)	53" (135 cm)
Overall Chair Height, High	62" (157 cm)	62" (157 cm)	70" (178 cm)	62" (157 cm)	68" (174 cm)	70" (178 cm)
Seat Width	24" (61 cm)	24" (61 cm)	24" (61 cm)	28" (71 cm)	24" (61 cm)	28" (71 cm)
Overall Width (rails up)	30" (76 cm)	34" (86.4 cm)	30" (76 cm)	34" (86 cm)	30" (76 cm)	34" (86.4 cm)
Overall Width (rails down)	24" (61 cm)	28" (71 cm)	24" (61 cm)	28" (71 cm)	24" (61 cm)	28" (71 cm)
Patient Surface Length (without "F" option)	77" (195 cm)	77" (195 cm)	77" (195 cm)	77" (195 cm)	77" (195 cm)	77" (195 cm)
Side Rail Length	27.6" (70.1 cm)	27.6" (70.1 cm)	27.6" (70.1 cm)	27.6" (70.1 cm)	27.6" (70.1 cm)	27.6" (70.1 cm)
Backrest Articulation Range	0° - 75°	0° - 75°	0° - 75°	0° - 75°	0° - 75°	0° - 75°
Trendelenburg**	5°	5°	5°	5°	5°	5°
Radiolucent Window (width x height)	20" X 25.5" (51 cm X 65 cm)	20" X 25.5" (51 cm X 65 cm)	20" X 25.5" (51 cm X 65 cm)	20" X 25.5" (51 cm X 65 cm)	20" X 25.5" (51 cm X 65 cm)	20" X 25.5" (51 cm X 65 cm)
Wheelbase (length X width)	30" x 20" (76 cm x 51 cm)	30" x 20" (76 cm x 51 cm)	30" x 20" (76 cm x 51 cm)	30" x 20" (76 cm x 51 cm)	30" x 20" (76 cm x 51 cm)	30" x 20" (76 cm x 51 cm)

* All models not represented. Additional configurations available.

** An additional 2° of Trendelenburg is achieved when the Manual Quick Release is utilized.

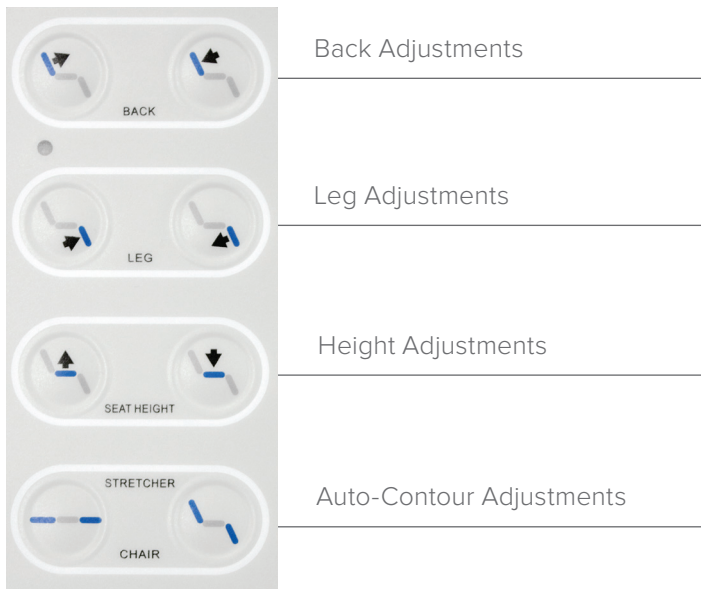


ONE PATIENT, ONE SURFACE®

TMM4 PLUS MULTI-PURPOSE STRETCHER-CHAIR SPECIFICATIONS

CHARGING SYSTEM SPECIFICATIONS	"B" OPTION	"A" OPTION
Input, Volts	100V - 240V	120V
Input, Current	1.0A (Max)	1.6A (Max)
Input, Frequency	50HZ / 60HZ	60HZ
Output	+24V - 1.5A	+24V - 7A
Maximum Power	36W	36W
Battery Packs	24V – 4.5Ah Sealed Lead Acid	24V - 4.5Ah Sealed Lead Acid

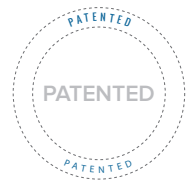
8-BUTTON PENDANT



ELECTRICAL SPECIFICATIONS

Mode of Operation	1 Min Load / 9 Min Rest
Voltage	24V DC

NOTE: Winco Mfg., LLC reserves the right to revise specifications without notice.



CONTACT US

To arrange a demonstration or to speak with one of our associates, please feel free to contact us at:
800-237-3377 | WincoMfg.com | 5516 SW 1st Lane, Ocala, FL 34474 | Info@WincoMfg.com