

# TMM3

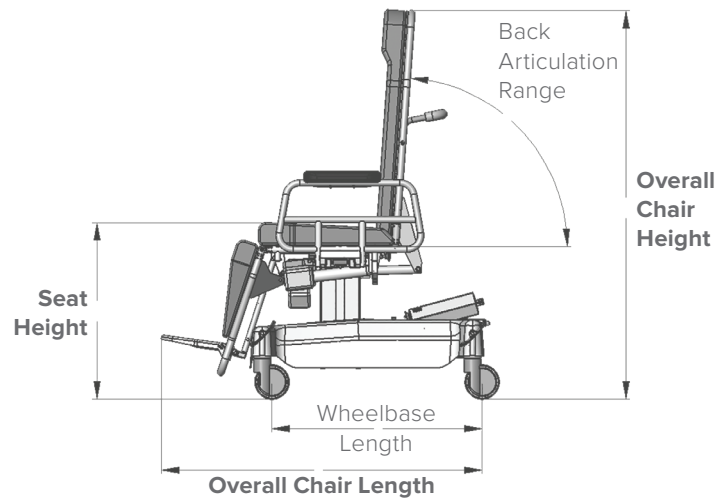
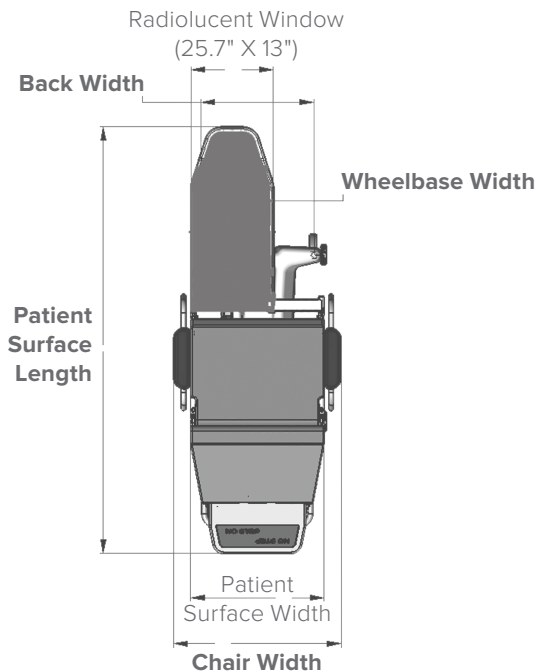
## \*VFSS STRETCHER-CHAIR

## SPECIFICATIONS

### SPECIFICATION DESCRIPTION

### SPECIFICATION MEASUREMENT

|   |                                   |
|---|-----------------------------------|
| Maximum Patient Weight                              | 350 lb. (159 kg.)                 |
| Seat Height, Low                                    | 25.1 in. (64 cm.)                 |
| Seat Height, High                                   | 33 in. (83.82 cm.)                |
| Seat Cushion Height, Front (tapered)                | 3.25 in. (8.26 cm.)               |
| Seat Cushion Height, Back (tapered)                 | 2.25 in. (5.08 cm.)               |
| Back Cushion Height                                 | 33 in. (83.82 cm.)                |
| Seat Width  | 24 in. (61 cm.)                   |
| Back Width (no extension)                           | 15 in. (38 cm.)                   |
| Back Width (w/ optional extension)                  | 24 in. (61 cm.)                   |
| Radiolucent Window (width x height)                 | 13 in. x 26 in. (33 cm. x 65 cm.) |
| Overall Width (rails up)                            | 30.5 in. (77.47 cm.)              |
| Patient Surface Length (standard)                   | 77 in. (195.58 cm.)               |
| Patient Surface Length (w/ manual folding footrest) | 70.4 in. (179 cm.)                |
| Overall Chair Height, Low                           | 55.5 in. (141 cm.)                |
| Overall Chair Height, High                          | 63 in. (160 cm.)                  |
| Backrest Articulation                               | 0° - 86°                          |
| Side Rail Height When Up (seat pan to rail top)     | 10.88 in. (27.64 cm.)             |
| Side Rail Length                                    | 21.1 in. (54 cm.)                 |
| Wheelbase (length x width) (standard)               | 30 in. x 20 in. (76 cm. x 51 cm.) |
| Wheelbase (length x width) (S short option)         | 26 in. x 20 in. (66 cm. x 51 cm.) |

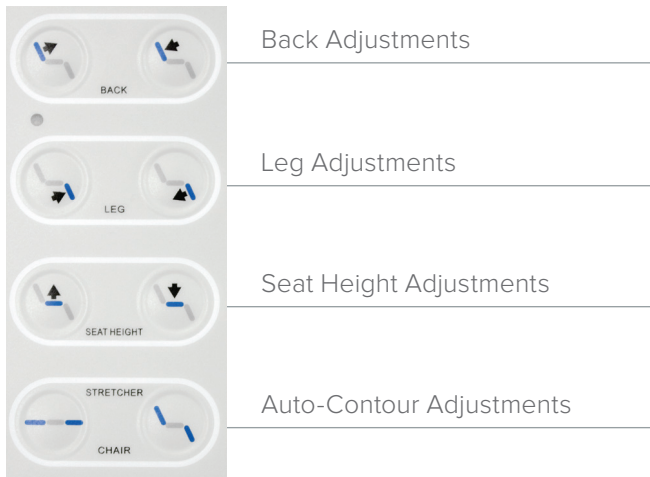


ONE PATIENT, ONE SURFACE®

# TMM3 STRETCHER-CHAIR SPECIFICATIONS

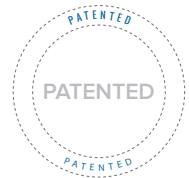
| CHARGING SYSTEM   | POWER SPECIFICATION          |
|-------------------|------------------------------|
| Input, Volts      | 100 VAC - 240 VAC            |
| Input, Current    | 1.0 A (max)                  |
| Input, Frequency  | 50 HZ / 60 HZ                |
| Output            | +24 DC 1.4 A                 |
| Maximum Power     | 36 W                         |
| Battery           | 24V – 4.5Ah Sealed Lead Acid |
| Mode of Operation | 1 Min Load / 9 Min Rest      |

## PENDANT FUNCTIONS



\*VFSS = Video Fluoroscopy Swallow Study

NOTE: Winco Mfg., LLC reserves the right to revise specifications without notice.



## CONTACT US

To arrange a demonstration or to speak with one of our associates, please feel free to contact us at:  
**800-237-3377 | WincoMfg.com | 5516 SW 1st Lane, Ocala, FL 34474 | Info@WincoMfg.com**