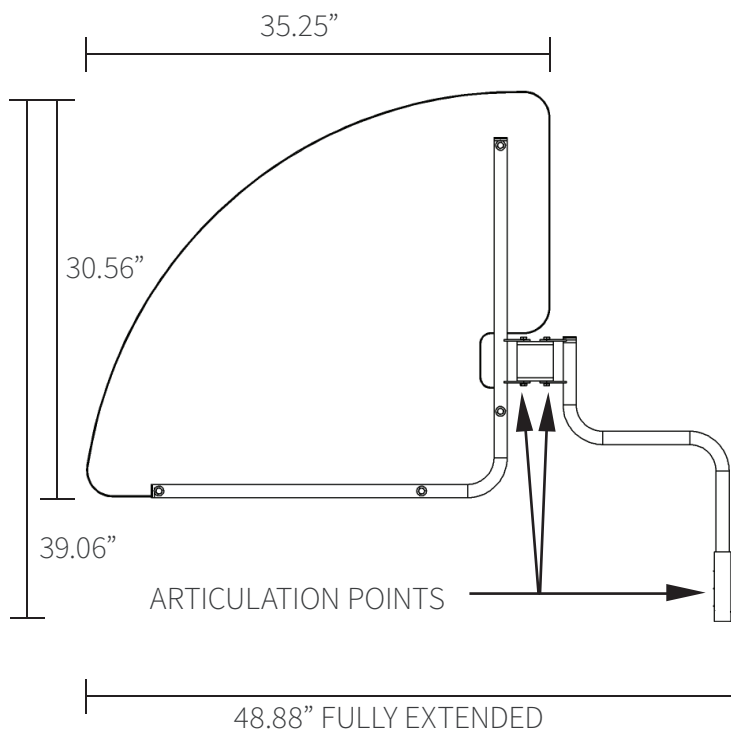


ADD ANOTHER LEVEL OF PROTECTION

Creating a safe environment for patients has always been a top priority. Taking additional measures to help slow the transmission of COVID and other airborne viruses helps protect your staff as well as your patients.

Built upon the concept that no treatment is the same, the Transmission Barrier was designed to articulate to multiple positions, allowing caregivers to adjust as needed during patient care.

Easily retrofittable for any of Champion’s Classic, Ascent, Ascent II or Alō recliner lines, this innovative solution comes fully assembled with a mounting bracket that can be attached to the chair.



SPECIFICATIONS

Barrier material	Chemical-resistant PETG Plastic
Frame material	Powder-coated steel
Articulation	Swing/pivot mount
Installation	Patient’s left-hand side (shown)

Information contained in this literature is based on the latest product data available at the time of printing. Photography, artwork, text and specifications are subject to change. Due to photographic and printing processes, product colors in this brochure are not necessarily accurate. Patterns are not shown to scale. Champion Manufacturing Inc. reserves the right to make changes to colors, materials, prices, standards, options, equipment and any specification at any time without notice or obligation. Contact your local Champion representative for more information.