

# CHAMPION™

Quality Healthcare Seating Products

## 54 Series

RECLINER/TRANSPORTER

RATED UP TO 300 LBS.

Part #547 MANUAL RECLINER  
Part #54P POWER RECLINER\*



Shown with optional second side table with cup holder.

Patient comfort, ease of use, dependability and long life make our classic 54 Series the “workhorse” recliner/transporter of the industry. The 54 Series is engineered for your most demanding applications, including around-the-clock use. Durable five-inch casters roll easily during transport.

All steel, powder-coated frame for durability.

Z-spring construction for greater comfort.



Patients recline easily by themselves.

### STANDARD FEATURES

- Stationary arms

---

- Fold-away side table (one)

---

- Push handle

---

- Retractable foot tray

---

- 5" thermoplastic casters

---

- Wall-hugger mechanism (infinite recline positions)

---

- Quick-release seat

---

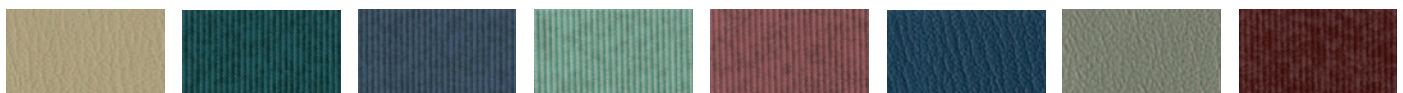
Wall-hugger recline mechanism



Quick-release seat



### STANDARD VINYL SELECTION



Natural  
T09

Aquamarine  
T19

Bonnie Blue  
T21

Iced Mint  
T26

Tearose  
T43

Colonial Blue  
T45

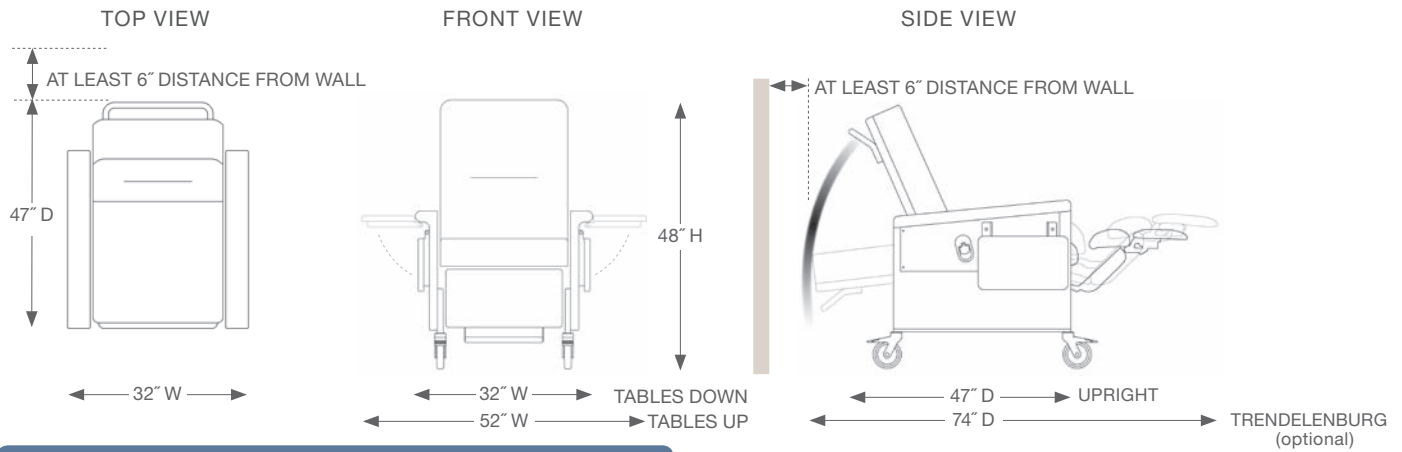
Gray  
T56

Cranberry  
T96

Printed color swatches may not be an exact match to actual fabrics and are enlarged to show detail.

\*The 54P (without the heat & massage option) is UL 60601-1 certified.

## SPACE REQUIREMENTS



## SPECIFICATIONS

Weight capacity	300 lbs.
Back height (from floor/seat)	48"/29"
Overall width (2 tables down/up)	32"/52"
Seat width	22.5"
Arm height (from floor, front/back)	30"/27"
Seat height/depth	22.5"/18"
Upright overall depth (w/handle)	47"
Thermoplastic casters	5"



## OPTIONS

Trendelenburg (T)

Break-away arm – Note patient left (L) or right (R) side

Additional fold-away side table (S7) – not available with break-away arm option

Cupholder – on all tables (C), on one of two tables, specify CUP-HOLDER (right or left)

Premium casters – Set of 4 (K)

Heat (J) – (547 manual model only)

Heat and massage (JM)

CAL 133 fire barrier (3)\*\*

Vinyl upgrades

Champion, graded vinyl selections\*\*\*

Customer's own material (COM)

PVC-free material

Dual-hand control (DUALACT-PWR) – (54P model only)

Battery backup (BATTERY) – (54P model only)

\*\*Contact Champion for a list of fire-tested vinyls.

\*\*\*For available patterns and colors for graded vinyl selections, please contact your Champion sales representative.



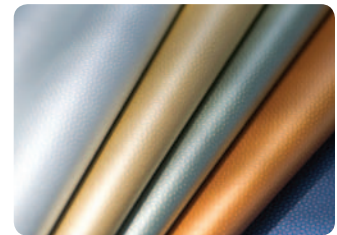
HEAT OR HEAT/MASSAGE



BREAK-AWAY ARM



TRENDLENBURG



VINYL UPGRADES

## ACCESSORIES

Provide your patient the best care and comfort with an over-the-lap tray, cup holders, head pillow/lumbar support, cushion wedge/arm support, footrest extender, TV mount, nocturnal sleep pad, side guards, IV poles

or an oxygen tank holder. For a complete list of our accessories, please see our *Accessories* brochure or ask your Champion sales representative for more information.

**CHAMPION™** Champion Manufacturing, Inc. | 1.800.998.5018  
 Elkhart, IN 46516 | [www.championchair.com](http://www.championchair.com)

Information contained in this literature is based on the latest product data available at the time of printing. Photography, artwork, text and specifications are subject to change. Photography may show optional items. Due to photographic and printing processes, product colors in this brochure are not necessarily accurate. Champion Manufacturing, Inc. reserves the right to make changes to colors, materials, prices, standards, options, equipment and any specification at any time without notice or obligation. Contact Champion direct for additional information and the latest specifications.

© 2013 Champion Manufacturing, Inc. Litho in USA CM-262 06/13