

CHAMPION™

Quality Healthcare Seating Products

Ascent XL

BARIATRIC RECLINER/TRANSPORTER

RATED UP TO 500 LBS.

Part #660 MANUAL RECLINER
Part #66P POWER RECLINER



The Ascent XL Bariatric Recliner is ruggedly built like our classic recliners, with added style and elegance. Gently contoured lines enhance its profile while comforting patients up to 500 lbs. Standard swing-arms provide easy cleaning, maintenance and patient transfer. Four-inch, twin wheel casters are corrosion resistant and roll with ease.

ARMS
OPEN
180°

Z-spring construction
for greater comfort.



All steel, powder-coated
frame for durability.

STANDARD FEATURES

- Swing-away arms
- Fold-away side table (one)
- Push handle
- Retractable foot tray
- 4" twin wheel casters
- Wall-hugger mechanism (infinite recline positions)
- Quick-release seat

Twin wheel
casters



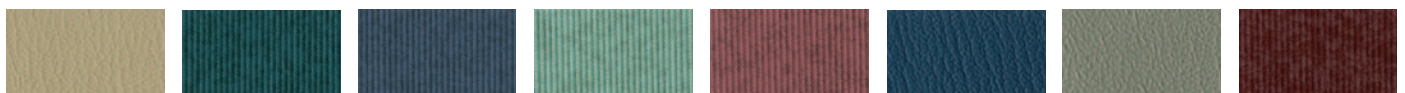
Wall-hugger
recline mechanism



Quick-release
seat



STANDARD VINYL SELECTION



Natural
T09

Aquamarine
T19

Bonnie Blue
T21

Iced Mint
T26

Tearose
T43

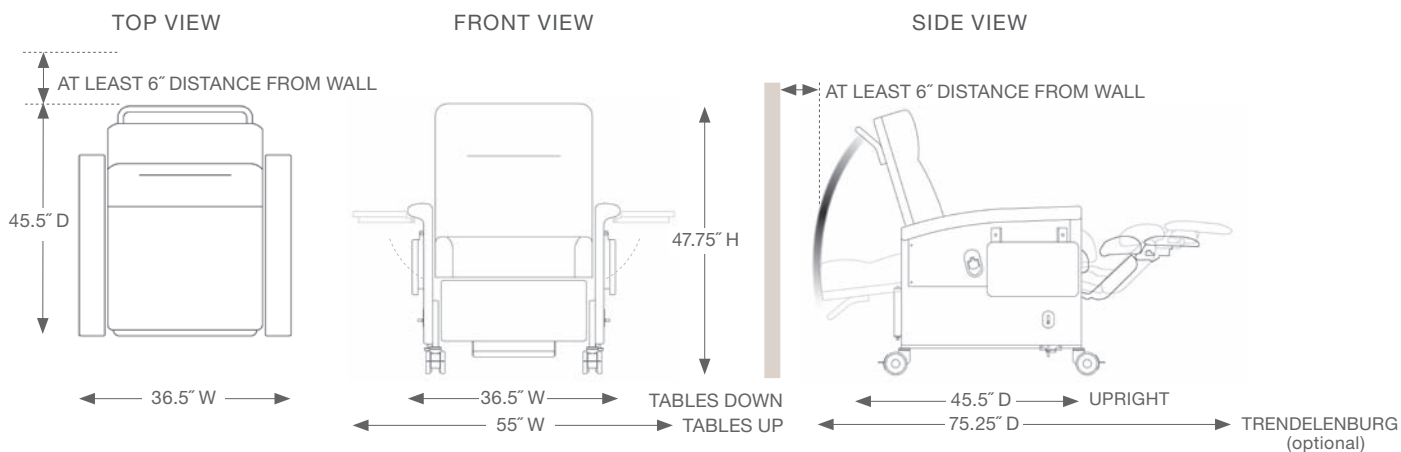
Colonial Blue
T45

Gray
T56

Cranberry
T96

Printed color swatches may not be an exact match to actual fabrics and are enlarged to show detail.

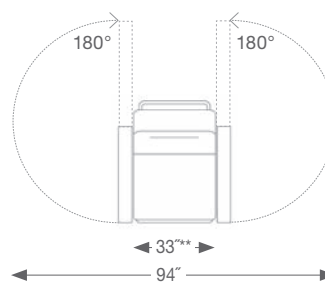
SPACE REQUIREMENTS



SPECIFICATIONS

Weight capacity	500 lbs.
Back height (from floor/seat)	47.75"/27"
Overall width (2 tables down/up)*	36.5"/55"
Seat width	27.5"
Arm height (from floor, front/back)	29"/26"
Seat height/depth	24.5"/21"
Upright overall depth (w/handle)	45.5"
Twin wheel casters	4"

TOP VIEW WITH SWING-AWAY ARMS



OPTIONS

Trendelenburg (T)
Additional fold-away side table (S7)
Arm cap – (E)
Cupholder – on all tables (C), on one of two tables, specify CUP-HOLDER (right or left)
Heat (J) – (660 manual model only)
Heat and massage (JM)
CAL 133 fire barrier (3)***
Vinyl upgrades Champion, graded vinyl selections**** Customer's own material (COM) PVC-free material
Dual-hand control (DUALACT-PWR) – (66P model only)
Battery backup (BATTERY) – (66P model only)

*Measured with both arms closed.

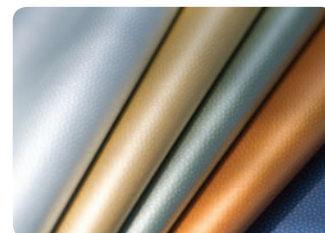
**With arms swung open, width of chair is 33".

***Contact Champion for a list of fire-tested vinyls.

****For available patterns and colors for graded vinyl selections, please contact your Champion sales representative.



HEAT OR HEAT/MASSAGE



VINYL UPGRADES



TRENDELENBURG



ARM CAP

ACCESSORIES

Provide your patient the best care and comfort with an over-the-lap tray, cup holders, head pillow/lumbar support, cushion wedge/arm support, footrest extender, TV mount, nocturnal sleep pad, side guards, IV poles

or an oxygen tank holder. For a complete list of our accessories, please see our *Accessories* brochure or ask your Champion sales representative for more information.

CHAMPION™ Champion Manufacturing, Inc. | 1.800.998.5018
Elkhart, IN 46516 | www.championchair.com

Information contained in this literature is based on the latest product data available at the time of printing. Photography, artwork, text and specifications are subject to change. Photography may show optional items. Due to photographic and printing processes, product colors in this brochure are not necessarily accurate. Champion Manufacturing, Inc. reserves the right to make changes to colors, materials, prices, standards, options, equipment and any specification at any time without notice or obligation. Contact Champion direct for additional information and the latest specifications.