

CHAMPION™

Quality Healthcare Seating Products

86 Series

BARIATRIC RECLINER/TRANSPORTER

RATED UP TO 500 LBS.

Part #868 MANUAL RECLINER
Part #86P POWER RECLINER*



Shown with optional second side table.

Champion's 86 Series Recliner is generously sized, deeper and wider for patients up to 500 lbs. with a steel frame reinforced to meet the needs of larger patients. Standard swing-arms provide versatility, easy cleaning, efficient maintenance and lateral patient transfers. Durable five-inch casters roll easily during transport and raise the chair to a comfortable height for staff.

Z-spring construction for greater comfort.

All steel, powder-coated frame for durability.



Swing-away arms for easy patient transfers.



STANDARD FEATURES

- Swing-away arms
- Fold-away side table (one)
- Push handle
- Retractable foot tray
- 5" thermoplastic casters
- Wall-hugger mechanism (infinite recline positions)
- Quick-release seat

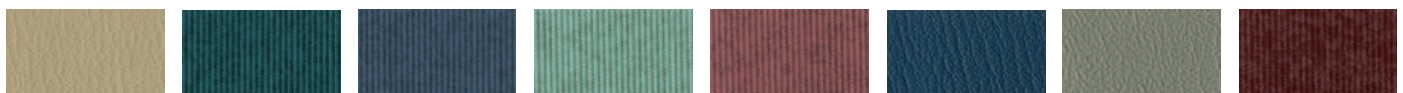
Wall-hugger recline mechanism



Quick-release seat



STANDARD VINYL SELECTION



Natural
T09

Aquamarine
T19

Bonnie Blue
T21

Iced Mint
T26

Tearose
T43

Colonial Blue
T45

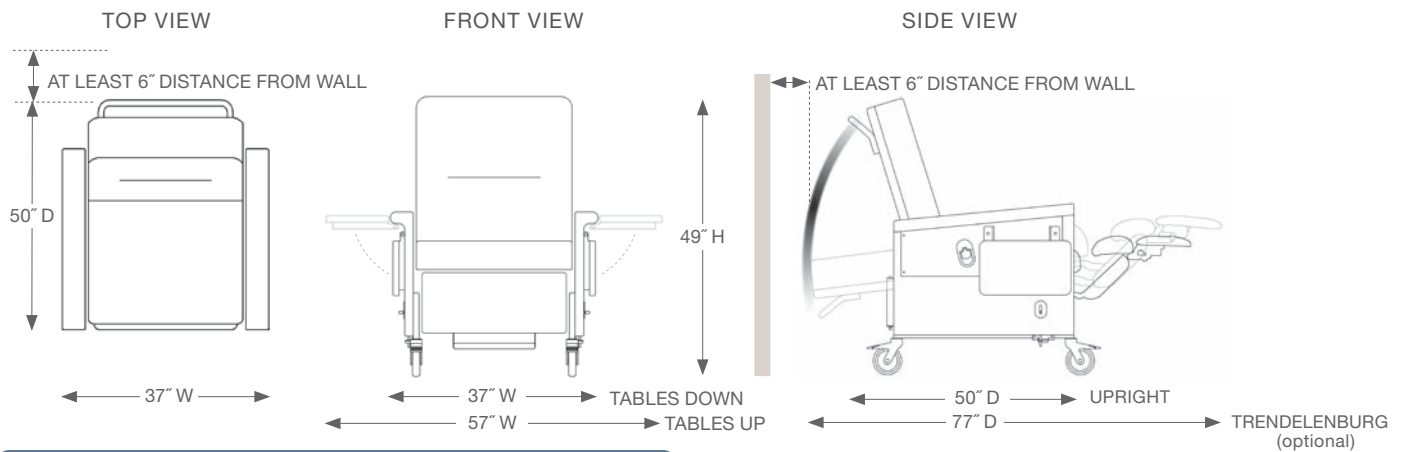
Gray
T56

Cranberry
T96

Printed color swatches may not be an exact match to actual fabrics and are enlarged to show detail.

*The 86P (without the heat & massage option) is UL 60601-1 certified.

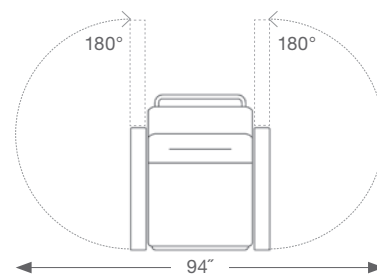
SPACE REQUIREMENTS



SPECIFICATIONS

Weight capacity	500 lbs.
Back height (from floor/seat)	49"/29"
Overall width (2 tables down/up)**	37"/57"
Seat width	27.5"
Arm height (from floor, front/back)	30"/27"
Seat height/depth	24"/21"
Upright overall depth (w/handle)	50"
Thermoplastic casters	5"

TOP VIEW WITH SWING-AWAY ARMS



OPTIONS

Trendelenburg (T)

Additional fold-away side table (S7)

Cupholder – on all tables (C), on one of two tables, specify CUP-HOLDER (right or left)

Premium casters – Set of 4 (K)

Heat (J) – (868 manual model only)

Heat and massage (JM)

CAL 133 fire barrier (3)***

Vinyl upgrades

Champion, graded vinyl selections****

Customer's own material (COM)

PVC-free material

Dual-hand control (DUALACT-PWR) – (86P model only)

Battery backup (BATTERY) – (86P model only)

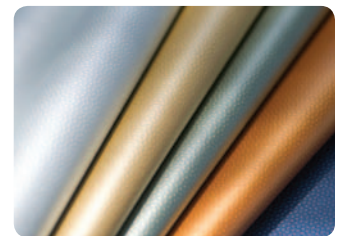
**Measured with both arms closed.

***Contact Champion for a list of fire-tested vinyls.

****For available patterns and colors for graded vinyl selections, please contact your Champion sales representative.



HEAT OR HEAT/MASSAGE



VINYL UPGRADES



TRENDELENBURG

ACCESSORIES

Provide your patient the best care and comfort with an over-the-lap tray, cup holders, head pillow/lumbar support, cushion wedge/arm support, footrest extender, TV mount, nocturnal sleep pad, side guards, IV poles

or an oxygen tank holder. For a complete list of our accessories, please see our *Accessories* brochure or ask your Champion sales representative for more information.

CHAMPION™ Champion Manufacturing, Inc. | 1.800.998.5018
Elkhart, IN 46516 | www.championchair.com

Information contained in this literature is based on the latest product data available at the time of printing. Photography, artwork, text and specifications are subject to change. Photography may show optional items. Due to photographic and printing processes, product colors in this brochure are not necessarily accurate. Champion Manufacturing, Inc. reserves the right to make changes to colors, materials, prices, standards, options, equipment and any specification at any time without notice or obligation. Contact Champion direct for additional information and the latest specifications.

© 2013 Champion Manufacturing, Inc. Litho in USA CM-266 06/13