



Task Chairs

CAREGIVER SEATING
RATED UP TO 300 LBS.

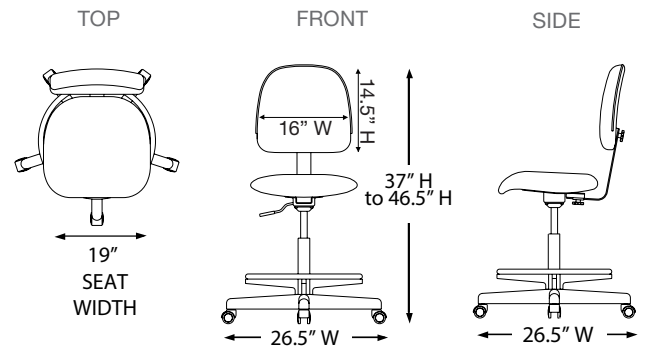
Part #505
Part #506



STANDARD FEATURES

SERIES #	505	506
Adjustable seat	•	•
Mounts on a 25" pedestal	•	•
Protected backrest frame with vinyl bumper	•	•
Footrest ring	•	•
Height-adjustable armrests		•

SPACE REQUIREMENTS



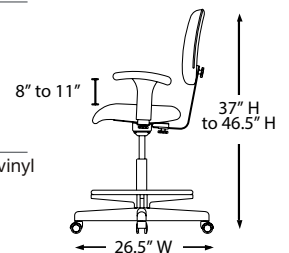
SPECIFICATIONS

SERIES #	505	506
Weight Capacity	300 lbs.	300 lbs.
Overall width (wheel base)	26.5"	26.5"
Overall height	37" - 46.5"	37" - 46.5"
Seat width	19"	19"
Seat height (adjustable)	21" - 28"	21" - 28"
Arm height from seat	N/A	6.5"

OPTIONS

- Vinyl upgrades
- Champion, graded vinyl selections*
- Customer's own material (COM)
- PVC-free material

*For available patterns and colors for graded vinyl selections, please contact your Champion sales representative



Champion's Task Chairs come standard with a large, adjustable seat on a 25-inch pedestal. The height adjusts easily with a hand lever under the seat and the foot-ring creates a comfortable place for users to rest their feet. Champion's Task Chairs are ideal for nurse's stations, computer terminals, clinic offices, lab rooms or other applications.

STANDARD VINYL SELECTION



Printed color swatches may not be an exact match to actual fabrics and are enlarged to show detail.

CHAMPION
HEALTH. CARING. CHAIR.
Champion Manufacturing, Inc.
Elkhart, IN 46516
1.800.998.5018
championchair.com

Information contained in this literature is based on the latest product data available at the time of printing. Photography, artwork, text and specifications are subject to change. Photography may show optional items. Due to photographic and printing processes, product colors in this brochure are not necessarily accurate. Champion Manufacturing, Inc. reserves the right to make changes to colors, materials, prices, standards, options, equipment and any specification at any time without notice or obligation. Contact Champion direct for additional information and the latest specifications.

© 2018 Champion Manufacturing, Inc. Litho in USA CMI-0029 04/18