

# CHAMPION™

Quality Healthcare Seating Products

## Ascent

MEDICAL RECLINER/TRANSPORTER

RATED UP TO 300 LBS.

Part #650 MANUAL RECLINER  
Part #65P POWER RECLINER

ARMS  
OPEN  
180°



Shown with optional second side table and head flap.

Increased padding for added softness and comfort during treatment, subtle curves, and swing-away arms for infection control make the Ascent recliner ideal for both patient and caregiver. It has all the durable engineering and strength of our Classic recliner design with an upscale look.

All steel, powder-coated frame for durability.

Z-spring construction for greater comfort.

Swing-away arms make transferring easier.



### STANDARD FEATURES

Swing-away arms

Fold-away side table (one)

Push handle

Retractable foot tray

4" twin wheel casters

Wall-hugger mechanism (infinite recline positions)

Quick-release seat

Twin wheel casters



Wall-hugger recline mechanism



Quick-release seat



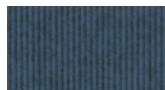
### STANDARD VINYL SELECTION



Natural  
T09



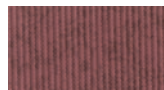
Aquamarine  
T19



Bonnie Blue  
T21



Iced Mint  
T26



Tearose  
T43



Colonial Blue  
T45



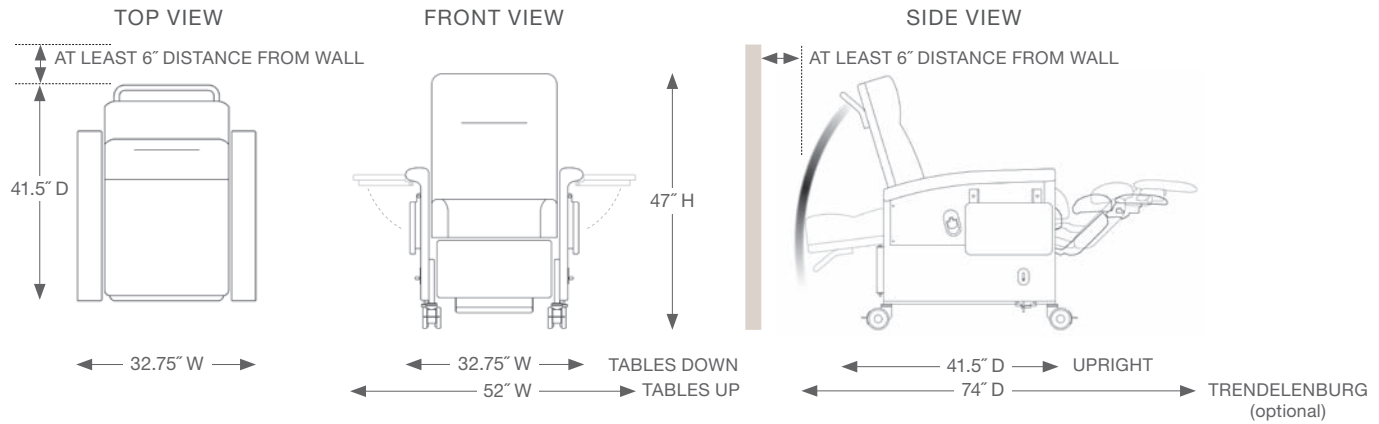
Gray  
T56



Cranberry  
T96

Printed color swatches may not be an exact match to actual fabrics and are enlarged to show detail.

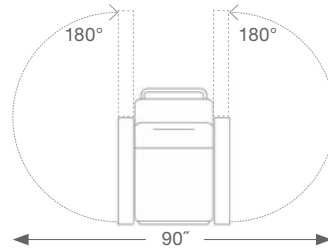
## SPACE REQUIREMENTS



## SPECIFICATIONS

Weight capacity	300 lbs.
Back height (from floor/seat)	47"/26.25"
Overall width (2 tables down/up)*	32.75"/52"
Seat width	22.5"
Arm height (from floor, front/back)	29"/26"
Seat height/depth	24.5"/20.5"
Upright overall depth (w/handle)	41.5"
Twin wheel casters	4"

## TOP VIEW WITH SWING-AWAY ARMS



## OPTIONS

Trendelenburg (T)

Additional fold-away side table (S7)

Arm cap – (E)

Cupholder – on all tables (C), on one of two tables, specify CUP-HOLDER (right or left)

Heat (J) – (650 manual model only)

Heat and massage (JM)

Cal 133 fire barrier (3)\*\*

Vinyl upgrades

Champion, graded vinyl selections\*\*\*

Customer's own material (COM)

PVC-free material

Battery backup (BATTERY) – (65P model only)

Dual-hand control (DUALACT-PWR) – (65P model only)

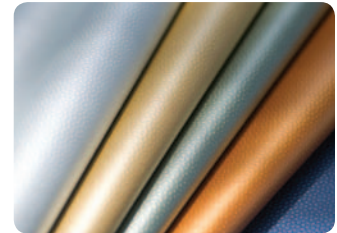
\*Measured with both arms closed.

\*\*Contact Champion for a list of fire-tested vinyls.

\*\*\*For available patterns and colors for graded vinyl selections, please contact your Champion sales representative.



HEAT OR HEAT/MASSAGE



VINYL UPGRADES



TRENDLENBURG



ARM CAP

## ACCESSORIES

Provide your patient the best care and comfort with an over-the-lap tray, cup holders, head pillow/lumbar support, cushion wedge/arm support, footrest extender, TV mount, IV poles or an oxygen tank holder. For a

complete list of our accessories, please see our *Accessories* brochure or ask your Champion sales representative for more information.

**CHAMPION™** Champion Manufacturing, Inc. | 1.800.998.5018  
Elkhart, IN 46516 | [www.championchair.com](http://www.championchair.com)

Information contained in this literature is based on the latest product data available at the time of printing. Photography, artwork, text and specifications are subject to change. Photography may show optional items. Due to photographic and printing processes, product colors in this brochure are not necessarily accurate. Champion Manufacturing, Inc. reserves the right to make changes to colors, materials, prices, standards, options, equipment and any specification at any time without notice or obligation. Contact Champion direct for additional information and the latest specifications.