

CHAMPION™

Quality Healthcare Seating Products

89 Series

RELAX RECLINER

RATED UP TO 300 LBS.

Part #898 MANUAL RECLINER
Part #89P POWER RECLINER*



Shown with optional side table.

The 89 Series Relax Recliner is an economical, adaptable choice in patient seating *when patient transport is not needed*. Start with basic recliner and choose only the features required for your specific treatment therapies. Standard swing-arms provide versatility, easy cleaning, efficient maintenance and patient transfers.

ARMS
OPEN
180°



Z-spring construction for greater comfort.

All steel, powder-coated frame for durability.**

STANDARD FEATURES

Swing-away arms

3" steel casters

Wall-hugger mechanism (infinite recline positions)

Quick-release seat

Wall-hugger recline mechanism



Quick-release seat



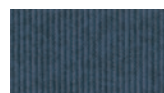
STANDARD VINYL SELECTION



Natural
T09



Aquamarine
T19



Bonnie Blue
T21



Iced Mint
T26



Tearose
T43



Colonial Blue
T45



Gray
T56



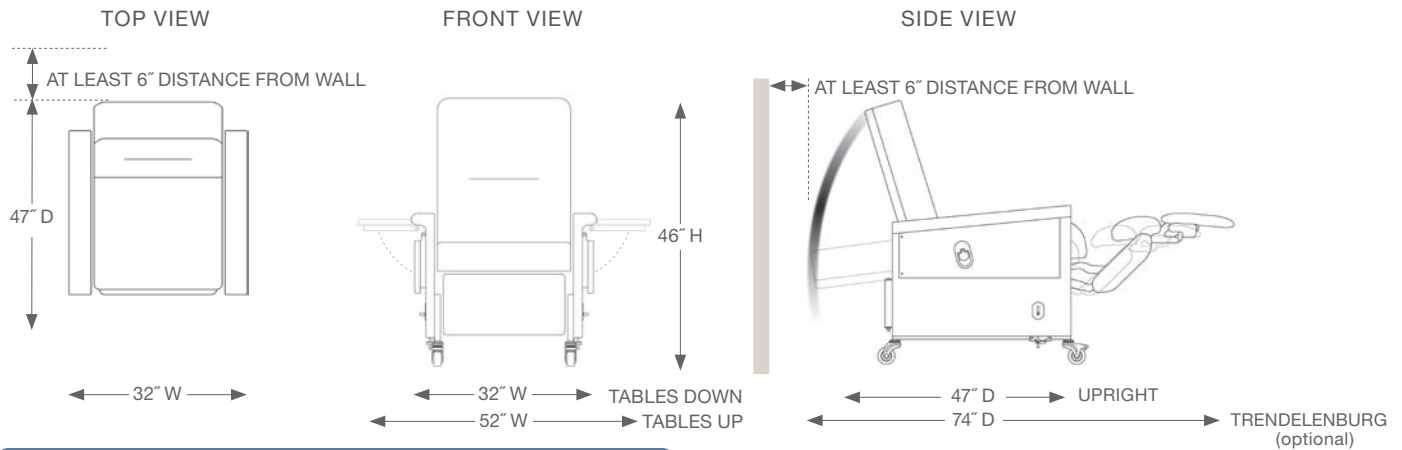
Cranberry
T96

Printed color swatches may not be an exact match to actual fabrics and are enlarged to show detail.

*The 89P (without the heat and massage option) is UL 60601-1 certified.

**Retractable foot tray and five-inch casters do not come with the 89 Series, but can be added as an option.

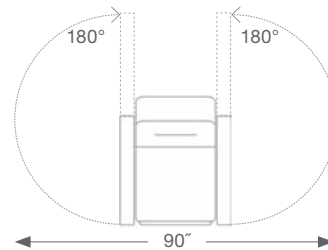
SPACE REQUIREMENTS



SPECIFICATIONS

Weight capacity	300 lbs.
Back height (from floor/seat)	46"/29"
Overall width (2 tables down/up)***	32"/52"
Seat width	22.5"
Arm height (from floor, front/back)	27.5"/24.5"
Seat height/depth	21"/18"
Upright overall depth	47"
Steel casters	3"

TOP VIEW WITH SWING-AWAY ARMS

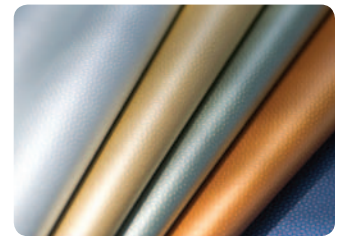


OPTIONS

Trendelenburg (T)
Fold-away side table – First (F) Second (S7)
Retractable foot tray (P)
Push handle (H)
Cupholder – on all tables (C), on one of two tables, specify CUP-HOLDER (right or left)
Heat (J) – (898 manual model only)
Heat and massage (JM)
CAL 133 fire barrier (3)****
Vinyl upgrades
Champion, graded vinyl selections*****
Customer's own material (COM)
PVC-free material
Dual-hand control (DUALACT-PWR) – (89P model only)
Battery backup (BATTERY) – (89P model only)



HEAT OR HEAT/MASSAGE



VINYL UPGRADES



TRENDELENBURG**

***Measured with both arms closed.

****Contact Champion for a list of fire-tested vinyls.

*****For available patterns and colors for graded vinyl selections, please contact your Champion sales representative.

ACCESSORIES

Provide your patient the best care and comfort with an over-the-lap tray, cup holders, head pillow/lumbar support, cushion wedge/arm support, footrest extender, TV mount, nocturnal sleep pad, side guards, IV poles

or an oxygen tank holder. For a complete list of our accessories, please see our *Accessories* brochure or ask your Champion sales representative for more information.

CHAMPION™

Champion Manufacturing, Inc.
Elkhart, IN 46516

1.800.998.5018
www.championchair.com

Information contained in this literature is based on the latest product data available at the time of printing. Photography, artwork, text and specifications are subject to change. Photography may show optional items. Due to photographic and printing processes, product colors in this brochure are not necessarily accurate. Champion Manufacturing, Inc. reserves the right to make changes to colors, materials, prices, standards, options, equipment and any specification at any time without notice or obligation. Contact Champion direct for additional information and the latest specifications.