

# CHAMPION™

Quality Healthcare Seating Products

## 85 Series

RECLINER/TRANSPORTER

RATED UP TO 300 LBS.

Part #858 MANUAL RECLINER  
Part #85P POWER RECLINER\*

ARMS  
OPEN  
180°



Shown with optional second side table.

The 85 Series Recliner Transporter offers all of the classic features of a Champion with the convenience of swing-arms. Continuing Champion's tradition of durability, it features a rock-solid steel frame. Standard swing-arms provide versatility, easy cleaning, efficient maintenance and patient transfers. Durable five-inch casters roll easily during transport and raise the chair to a comfortable height for staff.

Z-spring construction for greater comfort.



All steel, powder-coated frame for durability.

### STANDARD FEATURES

- Swing-away arms
- Fold-away side table (one)
- Push handle
- Retractable foot tray
- 5" thermoplastic casters
- Wall-hugger mechanism (infinite recline positions)
- Quick-release seat

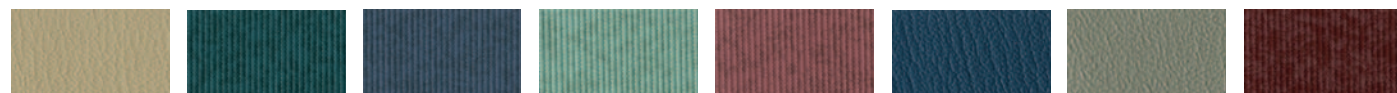
Wall-hugger recline mechanism



Quick-release seat



### STANDARD VINYL SELECTION



Natural  
T09

Aquamarine  
T19

Bonnie Blue  
T21

Iced Mint  
T26

Tearose  
T43

Colonial Blue  
T45

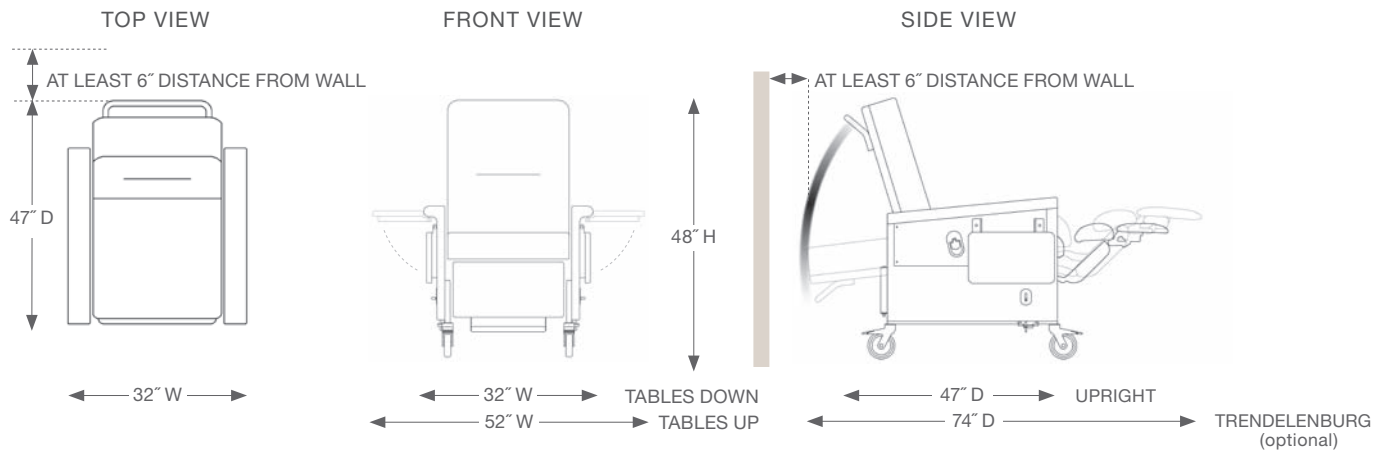
Gray  
T56

Cranberry  
T96

Printed color swatches may not be an exact match to actual fabrics and are enlarged to show detail.

\*The 85P (without the heat and massage option) is UL 60601-1 certified.

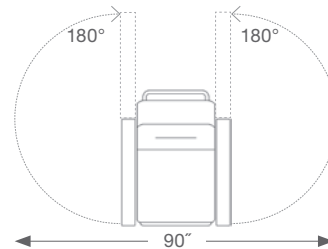
## SPACE REQUIREMENTS



## SPECIFICATIONS

Weight capacity	300 lbs.
Back height (from floor/seat)	48"/29"
Overall width (2 tables down/up)**	32"/52"
Seat width	22.5"
Arm height (from floor, front/back)	30"/27"
Seat height/depth	22.5"/18"
Upright overall depth (w/handle)	47"
Thermoplastic casters	5"

## TOP VIEW WITH SWING-AWAY ARMS



## OPTIONS

Trendelenburg (T)

Fold-away side table (S7)

Cupholder – on all tables (C), on one of two tables, specify CUP-HOLDER (right or left)

Premium casters – Set of 4 (K)

Heat (J) – (858 manual model only)

Heat and massage (JM)

CAL 133 fire barrier (3)\*\*\*

Vinyl upgrades

Champion, graded vinyl selections\*\*\*\*

Customer's own material (COM)

PVC-free material

Dual-hand control (DUALACT-PWR) – (85P model only)

Battery backup (BATTERY) – (85P model only)

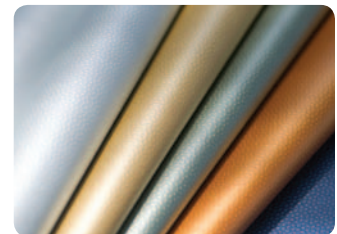
\*\*Measured with both arms closed.

\*\*\*Contact Champion for a list of fire-tested vinyls.

\*\*\*\*For available patterns and colors for graded vinyl selections, please contact your Champion sales representative.



HEAT OR HEAT/MASSAGE



VINYL UPGRADES



TRENDELENBURG

## ACCESSORIES

Provide your patient the best care and comfort with an over-the-lap tray, cup holders, head pillow/lumbar support, cushion wedge/arm support, footrest extender, TV mount, nocturnal sleep pad, side guards, IV poles

or an oxygen tank holder. For a complete list of our accessories, please see our *Accessories* brochure or ask your Champion sales representative for more information.

**CHAMPION™** Champion Manufacturing, Inc. | 1.800.998.5018  
Elkhart, IN 46516 | [www.championchair.com](http://www.championchair.com)

Information contained in this literature is based on the latest product data available at the time of printing. Photography, artwork, text and specifications are subject to change. Photography may show optional items. Due to photographic and printing processes, product colors in this brochure are not necessarily accurate. Champion Manufacturing, Inc. reserves the right to make changes to colors, materials, prices, standards, options, equipment and any specification at any time without notice or obligation. Contact Champion direct for additional information and the latest specifications.

© 2013 Champion Manufacturing, Inc. Litho in USA CM-255 06/13